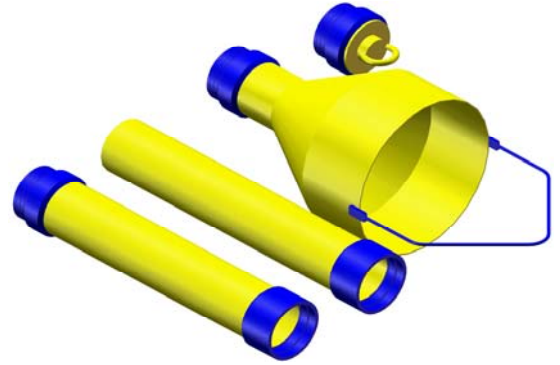
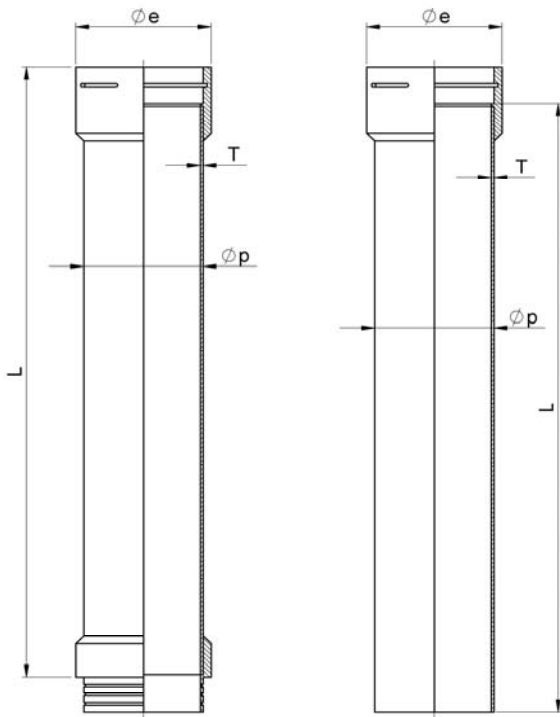
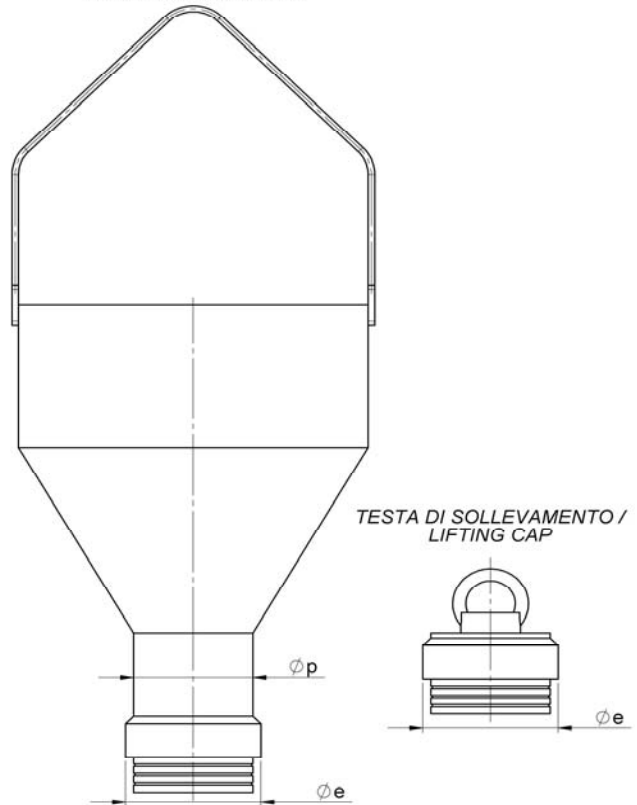


**Tubo getto con fune di serraggio e accessori**  
**Tremie pipe with rope and accessories**

**TUBO GETTO / TREMIE PIPE TUBO SCARPA / SHOE PIPE**

**TRAMOGGIA / HOPPER**

**Tubo getto / Tremie pipe**

Diametro del tubo	Diametro esterno	Spessore	Lunghezza	Codice
Pipe diameter	External diameter	Thickness	Length	Part Number
Øp (mm)	Øe (mm)	T (mm)	L (mm)	
194	228	3	1000	TGC194-T100
			1500	TGC194-T150
			2000	TGC194-T200
			3000	TGC194-T300
219	250	6,3	1000	TGC219-T100
			1500	TGC219-T150
			2000	TGC219-T200
			3000	TGC219-T300
273	310	6,3	1000	TGC273-T100
			1500	TGC273-T150
			2000	TGC273-T200
			3000	TGC273-T300

**Tubo scarpa / Shoe pipe**

Diametro del tubo	Diametro esterno	Spessore	Lunghezza	Codice
<i>Pipe diameter</i>	<i>External diameter</i>	<i>Thickness</i>	<i>Length</i>	<i>Part Number</i>
$\varnothing p$ (mm)	$\varnothing e$ (mm)	T (mm)	L (mm)	
194	228	3	1000	TGC194-S100
			1500	TGC194-S150
			2000	TGC194-S200
			3000	TGC194-S300
219	250	6,3	1000	TGC219-S100
			1500	TGC219-S150
			2000	TGC219-S200
			3000	TGC219-S300
273	310	6,3	1000	TGC273-S100
			1500	TGC273-S150
			2000	TGC273-S200
			3000	TGC273-S300

**Tramoggia / Hopper**

Diametro del tubo	Diametro esterno	Codice
<i>Pipe diameter</i>	<i>External diameter</i>	<i>Part Number</i>
$\varnothing p$ (mm)	$\varnothing e$ (mm)	
194	228	TGC194-Tra
219	250	TGC219-Tra
273	310	TGC273-Tra

**Testa di sollevamento / Lifting cap**

Diametro del tubo	Diametro esterno	Codice
<i>Pipe diameter</i>	<i>External diameter</i>	<i>Part Number</i>
$\varnothing p$ (mm)	$\varnothing e$ (mm)	
194	228	TGC194-Tes
219	250	TGC219-Tes
273	310	TGC273-Tes