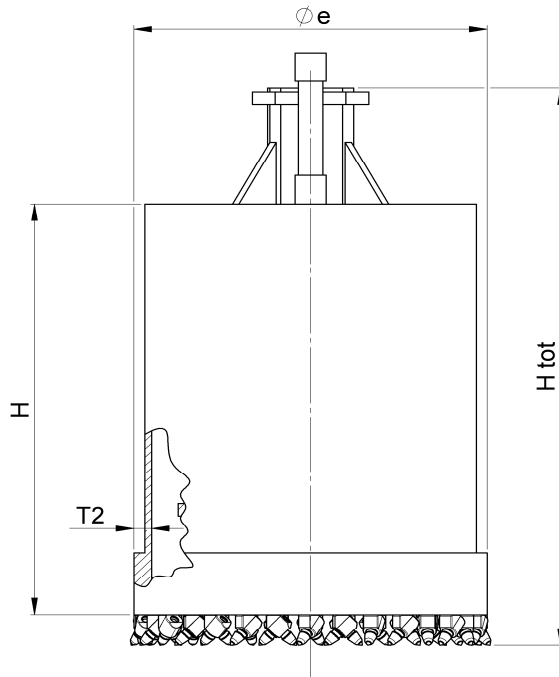
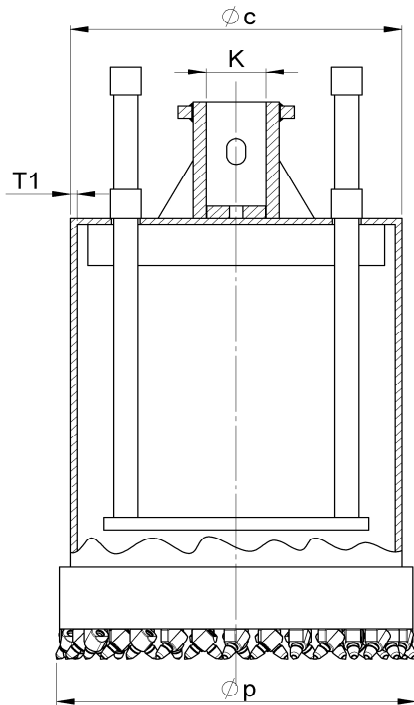
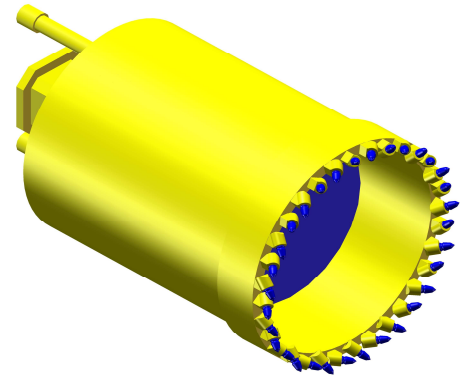


Carotiere con scarico per impiego pesante (tipo HD) Core barrel with inside flange (HD type)



Diametro di perforazione	Diametro esterno	Diametro fusto	Spess. fusto	Sp. anello rinforzo	N° picchi	Altezza fusto	Altezza totale	Lato int. att. quadro	Peso		Codice
Drilling Diameter	Ext. Diam.	Drum Diam.	Drum wall thick.	bottom wall thick.	Number of picks	Drum Height	Total Height	Kelly Box dimension	Weight		Part Number
Øp (mm)	Øe (mm)	Øc (mm)	T1 (mm)	T2 (mm)	Ø 25	H (mm)	H tot (mm)	K (mm)	kg	lbs	
400	350	310	20	40	11	1000	1400	130	147	324	OF040-1-41-0
								200	207	456	OF040-2-41-0
						1400	1800	130	206	454	OF040-1-41-4
								200	290	639	OF040-2-41-4
450	400	360	20	40	13	1000	1400	130	192	423	OF045-1-41-0
								200	252	556	OF045-2-41-0
						1400	1800	130	269	593	OF045-1-41-4
								200	353	778	OF045-2-41-4
500	450	410	20	40	14	1000	1400	130	243	536	OF050-1-41-0
								200	303	668	OF050-2-41-0
						1400	1800	130	340	750	OF050-1-41-4
								200	424	935	OF050-2-41-4
550	500	460	20	40	16	1000	1400	130	300	661	OF055-1-41-0
								200	360	794	OF055-2-41-0
						1400	1800	130	420	926	OF055-1-41-4
								200	504	1111	OF055-2-41-4
600	550	510	20	40	17	1000	1400	130	363	800	OF060-1-41-0
								200	423	933	OF060-2-41-0
						1400	1800	130	508	1120	OF060-1-41-4
								200	592	1306	OF060-2-41-4
650	600	560	20	40	19	1000	1400	130	432	952	OF065-1-41-0
								200	492	1085	OF065-2-41-0
						1400	1800	130	605	1333	OF065-1-41-4
								200	689	1519	OF065-2-41-4

Carandina migliora costantemente i propri prodotti riservandosi il diritto di apportare qualsiasi modifica senza preavviso. - Carandina s.r.l. continually improves its products reserving the right to modify data without warning.

Carandina produce utensili anche su specifiche del cliente - Carandina s.r.l. produces also drilling tools on customer's demand

Diametro di perforazione	Diametro esterno	Diametro fusto	Spess. fusto	Sp. anello rinforzo	N° picchi	Altezza fusto	Altezza totale	Lato int. att. quadro	Peso		Codice
Drilling Diameter	Ext. Diam.	Drum Diam.	Drum wall thick.	bottom wall thick.	Number of picks	Drum Height	Total Height	Kelly Box dimension	Weight		Part Number
Øp (mm)	Øe (mm)	Øc (mm)	T1 (mm)	T2 (mm)	Ø 25	H (mm)	H tot (mm)	K (mm)	kg	lbs	
700	650	610	20	40	20	1000	1400	130	507	1118	OF070-1-41-0
								200	567	1250	OF070-2-41-0
						1400	1800	130	710	1565	OF070-1-41-4
								200	794	1750	OF070-2-41-4
750	700	660	20	40	22	1000	1400	130	588	1296	OF075-1-41-0
								200	648	1429	OF075-2-41-0
						1400	1800	130	823	1815	OF075-1-41-4
								200	907	2000	OF075-2-41-4
800	750	710	20	40	24	1000	1400	130	675	1488	OF080-1-41-0
								200	735	1620	OF080-2-41-0
						1400	1800	130	945	2083	OF080-1-41-4
								200	1029	2269	OF080-2-41-4
900	850	810	20	40	27	1000	1400	130	867	1911	OF090-1-41-0
								200	927	2044	OF090-2-41-0
						1400	1800	130	1214	2676	OF090-1-41-4
								200	1298	2861	OF090-2-41-4
1000	950	890	30	40	30	1000	1400	130	1083	2388	OF100-1-43-0
								200	1143	2520	OF100-2-43-0
						1400	1800	130	1516	3343	OF100-1-43-4
								200	1600	3528	OF100-2-43-4
1100	1050	990	30	40	33	1000	1400	130	1323	2917	OF110-1-43-0
								200	1383	3049	OF110-2-43-0
						1400	1800	130	1852	4083	OF110-1-43-4
								200	1936	4269	OF110-2-43-4
1200	1150	1090	30	40	36	1000	1400	130	1587	3499	OF120-1-43-0
								200	1647	3631	OF120-2-43-0
						1400	1800	130	2222	4898	OF120-1-43-4
								200	2306	5083	OF120-2-43-4
1300	1250	1190	30	40	39	1000	1400	130	1875	4134	OF130-1-43-0
								200	1935	4266	OF130-2-43-0
						1400	1800	130	2625	5787	OF130-1-43-4
								200	2709	5972	OF130-2-43-4
1400	1350	1290	30	40	42	1000	1400	130	2187	4822	OF140-1-43-0
								200	2247	4954	OF140-2-43-0
						1400	1800	130	3062	6750	OF140-1-43-4
								200	3146	6935	OF140-2-43-4
1500	1450	1390	30	40	46	1000	1400	130	2523	5562	OF150-1-43-0
								200	2583	5695	OF150-2-43-0
						1400	1800	130	3532	7787	OF150-1-43-4
								200	3616	7972	OF150-2-43-4
1600	1550	1490	30	40	49	1000	1400	130	2883	6356	OF160-1-43-0
								200	2943	6488	OF160-2-43-0
						1400	1800	130	4036	8898	OF160-1-43-4
								200	4120	9083	OF160-2-43-4
1700	1650	1590	30	40	52	1000	1400	130	3267	7203	OF170-1-43-0
								200	3327	7335	OF170-2-43-0
						1400	1800	130	4574	10084	OF170-1-43-4
								200	4658	10269	OF170-2-43-4
1800	1750	1690	30	40	55	1000	1400	130	3675	8102	OF180-1-43-0
								200	3735	8234	OF180-2-43-0
						1400	1800	130	5145	11343	OF180-1-43-4
								200	5229	11528	OF180-2-43-4
1900	1850	1790	30	40	58	1000	1400	130	4107	9054	OF190-1-43-0
								200	4167	9187	OF190-2-43-0
						1400	1800	130	5750	12676	OF190-1-43-4
								200	5834	12861	OF190-2-43-4
2000	1950	1890	30	40	61	1000	1400	130	4563	10060	OF200-1-43-0
								200	4623	10192	OF200-2-43-0
2200	2150	2090	30	40	68	1000	1400	130	5547	12229	OF220-1-43-0
								200	5607	12361	OF220-2-43-0
2500	2450	2390	30	40	77	1000	1400	130	7203	15880	OF250-1-43-0
								200	7263	16012	OF250-2-43-0

Carandina migliora costantemente i propri prodotti riservandosi il diritto di apportare qualsiasi modifica senza preavviso. - Carandina s.r.l. continually improves its products reserving the right to modify data without warning.

Carandina produce utensili anche su specifiche del cliente - Carandina s.r.l. produces also drilling tools on customer's demand