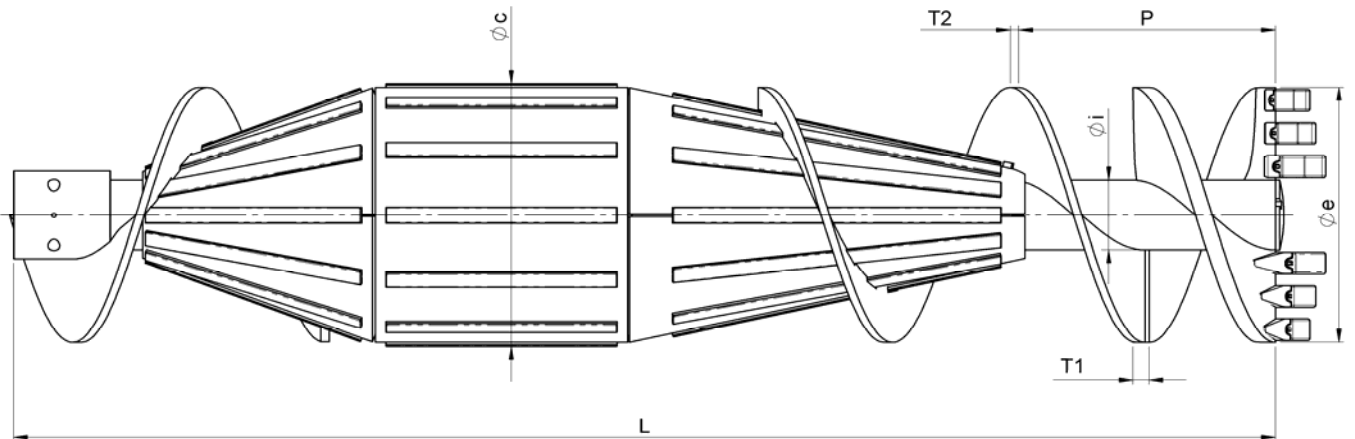
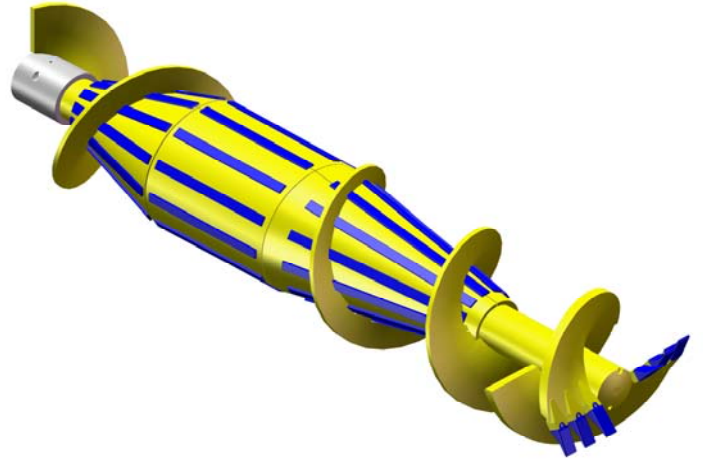


## Compattatore CFA CFA soil displacement



Diametro di compattazione	Diam. esterno	D. interno (D. tubo) x spess. tubo	Passo	Spessore Spira	Spessore Spira	Mom. torcente massimo		Attacco	Lungh.	Codice										
Displacement diameter	External Diam.	Internal Diam. (Pipe Diam.) x pipe th.	Pitch	Flight Thick.	Flight Thick.	Maximum torque		Coupl.	Length	Part Number										
Øc (mm)	Øe (mm)	Øi (mm)	P (mm)	T2 (mm)	T1 (mm)	N · m	Ton-m		L (mm)											
320	300	168 x 20	300	20	30	177000	18	XHD5	2000	CF4C030-200-X5-17-57										
									2500	CF4C030-250-X5-17-57										
									3000	CF4C030-300-X5-17-57										
		168 x 20	300	20	30	177000	18	160/125	XHD5	2000	CF4C030-200-16-17-57									
										2500	CF4C030-250-16-17-57									
										3000	CF4C030-300-16-17-57									
		177,8 x 25	300	20	30	216000	22	XHD5	XHD5	2000	CF4C030-200-X5-18-57									
										2500	CF4C030-250-X5-18-57									
										3000	CF4C030-300-X5-18-57									
		177,8 x 25	300	20	30	216000	22	160/125	XHD5	2000	CF4C030-200-16-18-57									
										2500	CF4C030-250-16-18-57									
										3000	CF4C030-300-16-18-57									
420	400	168 x 20	400	20	40	177000	18	XHD5	2000	CF4C040-200-X5-17-58										
									2500	CF4C040-250-X5-17-58										
									3000	CF4C040-300-X5-17-58										
		168 x 20	400	20	40	177000	18	160/125	XHD5	2000	CF4C040-200-16-17-58									
										2500	CF4C040-250-16-17-58									
										3000	CF4C040-300-16-17-58									
		177,8 x 25	400	20	40	216000	22	XHD5	XHD5	2000	CF4C040-200-X5-18-58									
										2500	CF4C040-250-X5-18-58									
										3000	CF4C040-300-X5-18-58									
		177,8 x 25	400	20	40	216000	22	160/125	XHD5	2000	CF4C040-200-16-18-58									
										2500	CF4C040-250-16-18-58									
										3000	CF4C040-300-16-18-58									
		219 x 20 133 x 4 <i>Doppio tubo coassiale Double coaxial pipe</i>	400	400	20	40	245000	25	XHD5	XHD5	2000	CF4C040-200-X5-D1-58								
											2500	CF4C040-250-X5-D1-58								
											3000	CF4C040-300-X5-D1-58								
											219 x 20 133 x 4 <i>Doppio tubo coassiale Double coaxial pipe</i>	400	20	40	245000	25	200/125	XHD5	2000	CF4C040-200-20-D1-58
																			2500	CF4C040-250-20-D1-58
																			3000	CF4C040-300-20-D1-58

Diametro di compattazione	Diam. esterno	D. interno (D. tubo) x spess. tubo	Passo	Spessore Spira	Spessore Spira	Mom. torcente massimo		Attacco	Lungh.	Codice	
Displacement diameter	External Diam.	Internal Diam. (Pipe Diam.) x pipe th.	Pitch	Flight Thick.	Flight Thick.	Maximum torque		Coupl.	Length	Part Number	
Øc (mm)	Øe (mm)	Øi (mm)	P (mm)	T2 (mm)	T1 (mm)	N · m	Ton-m		L (mm)		
520	500	168 x 20	500	20	40	177000	18	XHD5	2000	CF4C050-200-X5-17-58	
									2500	CF4C050-250-X5-17-58	
									3000	CF4C050-300-X5-17-58	
		168 x 20	500	20	40	177000	18	160/125		2000	CF4C050-200-16-17-58
										2500	CF4C050-250-16-17-58
										3000	CF4C050-300-16-17-58
		177,8 x 25	500	20	40	216000	22	XHD5		2000	CF4C050-200-X5-18-58
										2500	CF4C050-250-X5-18-58
										3000	CF4C050-300-X5-18-58
		177,8 x 25	500	20	40	216000	22	160/125		2000	CF4C050-200-16-18-58
										2500	CF4C050-250-16-18-58
										3000	CF4C050-300-16-18-58
		219 x 20 133 x 4 <i>Doppio tubo coassiale Double coaxial pipe</i>	500	20	40	245000	25	XHD5		2000	CF4C050-200-X5-D1-58
										2500	CF4C050-250-X5-D1-58
										3000	CF4C050-300-X5-D1-58
		219 x 20 133 x 4 <i>Doppio tubo coassiale Double coaxial pipe</i>	500	20	40	245000	25	200/125		2000	CF4C050-200-20-D1-58
										2500	CF4C050-250-20-D1-58
										3000	CF4C050-300-20-D1-58
		273 x 20 133 x 4 <i>Doppio tubo coassiale Double coaxial pipe</i>	500	20	40	294000	30	200/125X		2000	CF4C050-200-2X-D2-58
										2500	CF4C050-250-2X-D2-58
										3000	CF4C050-300-2X-D2-58
273 x 20 133 x 4 <i>Doppio tubo coassiale Double coaxial pipe</i>	500	20	40	294000	30	25-HD5		2000	CF4C050-200-25-D2-58		
								2500	CF4C050-250-25-D2-58		
								3000	CF4C050-300-25-D2-58		
620	600	177,8 x 25	600	20	40	216000	22	XHD5	2000	CF4C060-200-X5-18-58	
									2500	CF4C060-250-X5-18-58	
									3000	CF4C060-300-X5-18-58	
		177,8 x 25	600	20	40	216000	22	160/125		2000	CF4C060-200-16-18-58
										2500	CF4C060-250-16-18-58
										3000	CF4C060-300-16-18-58
		219 x 20 133 x 4 <i>Doppio tubo coassiale Double coaxial pipe</i>	600	20	40	245000	25	XHD5		2000	CF4C060-200-X5-D1-58
										2500	CF4C060-250-X5-D1-58
										3000	CF4C060-300-X5-D1-58
		219 x 20 133 x 4 <i>Doppio tubo coassiale Double coaxial pipe</i>	600	20	40	245000	25	200/125		2000	CF4C060-200-20-D1-58
										2500	CF4C060-250-20-D1-58
										3000	CF4C060-300-20-D1-58
		273 x 20 133 x 4 <i>Doppio tubo coassiale Double coaxial pipe</i>	600	20	40	294000	30	200/125X		2000	CF4C060-200-2X-D2-58
										2500	CF4C060-250-2X-D2-58
										3000	CF4C060-300-2X-D2-58
273 x 20 133 x 4 <i>Doppio tubo coassiale Double coaxial pipe</i>	600	20	40	294000	30	25-HD5		2000	CF4C060-200-25-D2-58		
								2500	CF4C060-250-25-D2-58		
								3000	CF4C060-300-25-D2-58		