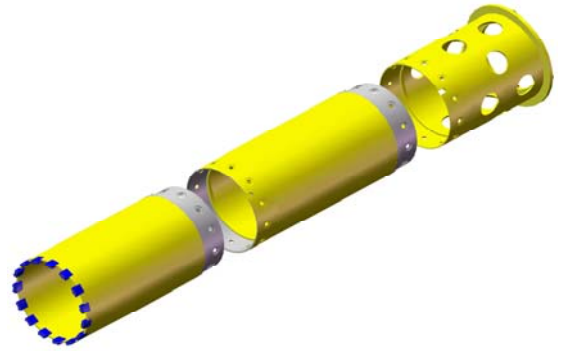
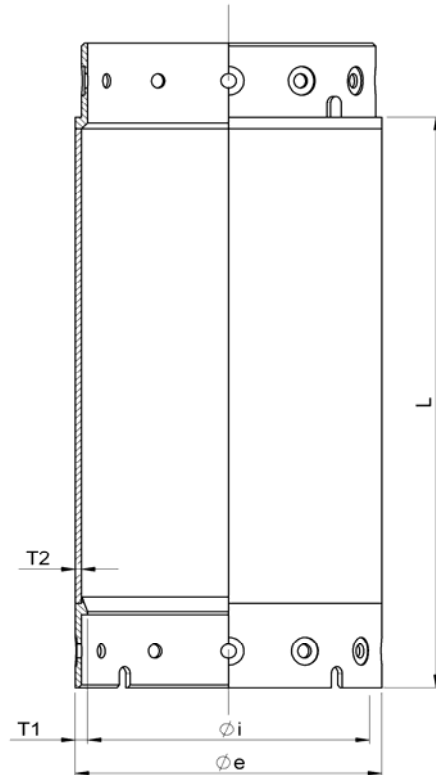


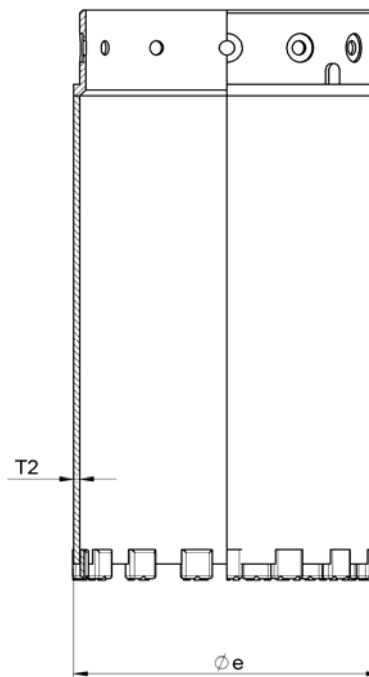
## Tubo camicia a singola parete con giunto a vite Single wall casing pipe with screw joint



TUBO DI MANOVRA / CASING PIPE



TUBO SCARPA / CASING SHOE



Diametro esterno	Diametro interno	Spessori		Lunghezza	Peso teorico		Codice
External diameter	Internal diameter	Thickness		Length	Theoretical weight		Part Number
Øe (mm)	Øi (mm)	T1 (mm)	T2 (mm)	L (mm)	kg	lbs	
610	530	40	10	1000	326	719	CASV061-T-100
				2000	447	985	CASV061-T-200
				3000	627	1382	CASV061-T-300
				4000	778	1715	CASV061-T-400
				5000	930	2050	CASV061-T-500
				6000	1080	2381	CASV061-T-600
800	720	40	12	1000	445	981	CASV080-T-100
				2000	685	1510	CASV080-T-200
				3000	920	2028	CASV080-T-300
				4000	1160	2557	CASV080-T-400
				5000	1401	3089	CASV080-T-500
				6000	1635	3605	CASV080-T-600

Diametro esterno	Diametro interno	Spessori		Lunghezza	Peso teorico		Codice
<i>External diameter</i>	<i>Internal diameter</i>	<i>Thickness</i>		<i>Length</i>	<i>Theoretical weight</i>		<i>Part Number</i>
$\varnothing e$ (mm)	$\varnothing i$ (mm)	T1 (mm)	T2 (mm)	L (mm)	kg	lbs	
1000	920	40	12	1000	562	1239	CASV100-T-100
				2000	860	1896	CASV100-T-200
				3000	1160	2557	CASV100-T-300
				4000	1455	3208	CASV100-T-400
				5000	1755	3869	CASV100-T-500
				6000	2050	4519	CASV100-T-600
1200	1120	40	15	1000	705	1554	CASV120-T-100
				2000	1155	2546	CASV120-T-200
				3000	1602	3532	CASV120-T-300
				4000	2045	4508	CASV120-T-400
				5000	2491	5492	CASV120-T-500
				6000	2940	6482	CASV120-T-600
1500	1400	50	15	1000	1060	2337	CASV150-T-100
				2000	1620	3571	CASV150-T-200
				3000	2180	4806	CASV150-T-300
				4000	2740	6041	CASV150-T-400
				5000	3297	7269	CASV150-T-500
				6000	3862	8514	CASV150-T-600

Carandina s.r.l. migliora costantemente i propri prodotti riservandosi il diritto di apportare qualsiasi modifica senza preavviso. - Carandina s.r.l. continually improve its products reserving the right to modify data without warning.