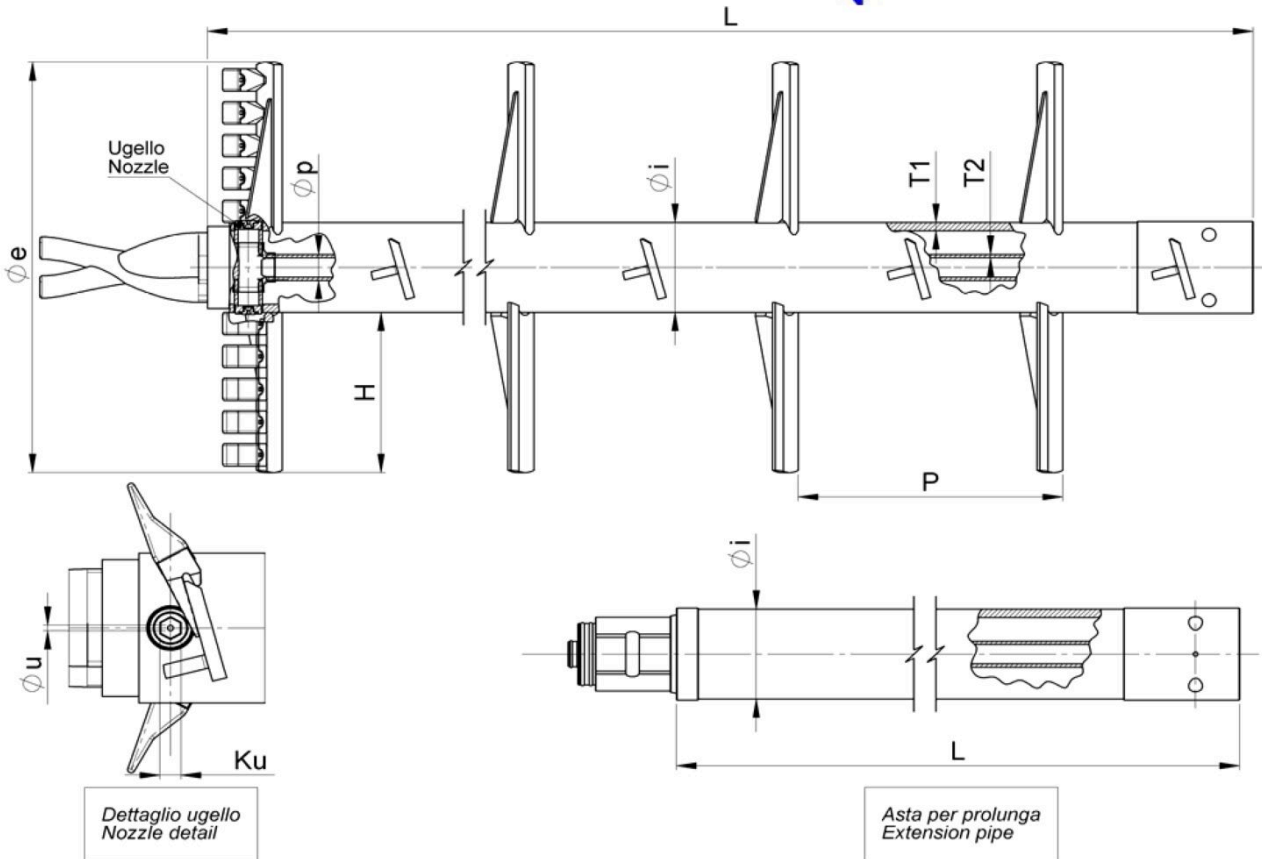
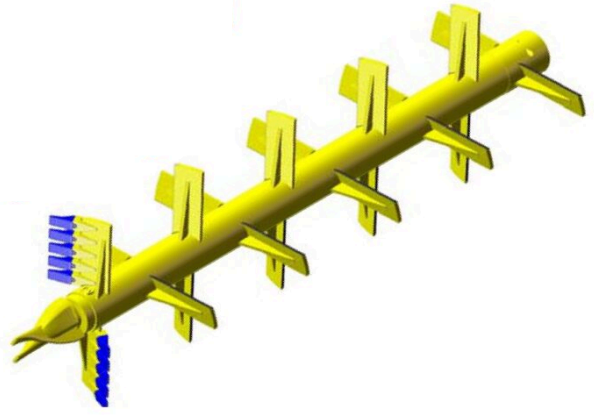


Miscelatore per rinforzo terreni friabili Soil mix



| Diam. Esterno | Passo | Altezza pala | Lungh. | D. foro ugello | Ch. esag. ugello | D. tubo interno x spess. tubo | D. interno (D. tubo) x spess. tubo | | Peso | | Codice |
|----------------|--------|--------------|--------|-------------------|------------------|--------------------------------|--|--|--------|------|-----------------|
| External Diam. | Pitch | Blade Height | Length | Nozzle hole Diam. | Nozzle hex key | Internal pipe Diam. x pipe th. | Internal Diam. (Pipe Diam.) x pipe th. | | Weight | | Part Number |
| Øe (mm) | P (mm) | H (mm) | L (mm) | Øu (mm) | Ku (mm) | Øp x T2 (mm) | Øi x T1 (mm) | | kg | lbs | |
| 800 | 500 | 290,5 | 3000 | 8 | 29 | 63,5 x 8 | 219 x 14,2 | | 325 | 716 | SMX080-30-63-14 |
| | | | | | | | 219 x 20 | | 397 | 875 | SMX080-30-63-20 |
| | 500 | 290,5 | 6000 | 8 | 29 | 63,5 x 8 | 219 x 14,2 | | 633 | 1396 | SMX080-60-63-14 |
| | | | | | | | 219 x 20 | | 774 | 1706 | SMX080-60-63-20 |
| 1000 | 600 | 390,5 | 3000 | 8 | 29 | 63,5 x 8 | 219 x 14,2 | | 548 | 1208 | SMX100-30-63-14 |
| | | | | | | | 219 x 20 | | 620 | 1367 | SMX100-30-63-20 |
| | 600 | 390,5 | 6000 | 8 | 29 | 63,5 x 8 | 219 x 14,2 | | 1069 | 2356 | SMX100-60-63-14 |
| | | | | | | | 219 x 20 | | 1209 | 2665 | SMX100-60-63-20 |
| 1200 | 750 | 490,5 | 3000 | 8 | 29 | 63,5 x 8 | 219 x 14,2 | | 821 | 1810 | SMX120-30-63-14 |
| | | | | | | | 219 x 20 | | 893 | 1968 | SMX120-30-63-20 |
| | 750 | 490,5 | 6000 | 8 | 29 | 63,5 x 8 | 219 x 14,2 | | 1601 | 3529 | SMX120-60-63-14 |
| | | | | | | | 219 x 20 | | 1741 | 3838 | SMX120-60-63-20 |